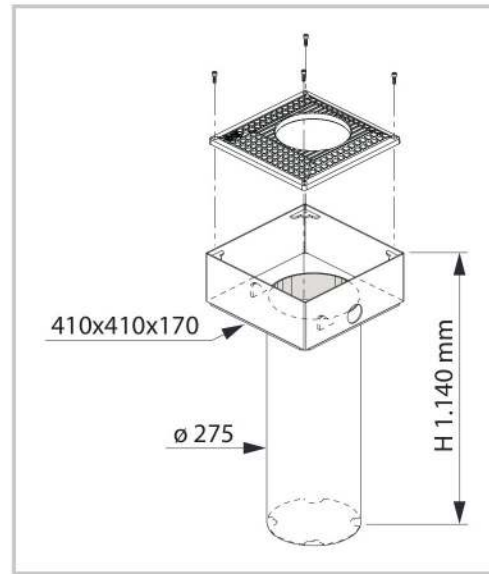
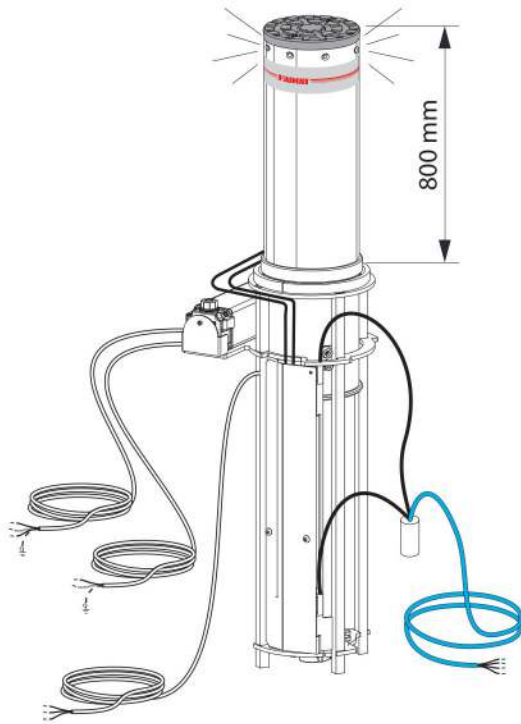


»BOLARDO PILONA HIDRAULICO AUTOMATICO MARCA FADINI MOD.VIGILIO.

VIGILO height **800 mm**



The pictures in this Price List are merely indicative.

Each item includes an automatic bollard complete with pit, cover plate, moving cylinder made of cataphoresis treated steel and polyester powder coated in RAL 7016 anthracite grey, complete with head and rubber edge, approved retro-reflecting micro-prismatic high intensity adhesive film, electrolytic galvanized steel housing assembly with an oil-hydraulic actuator and motor-pump drive unit, two limit switch sensors (bollard in standing and lowered positions), release spanner, 10 m electric cable to power supply the hydraulic motor-pump drive unit and the limit switches. 8 LED lights and 24 Vdc solenoid valve, with 10 m electric cable.

Diameter	200 mm
Height	800 mm
Thickness	4 mm
Finishing of the post	RAL 7016 anthracite grey
Weight	151 kg
Pit	hot dip galvanization

Magnetic limit switches	<input checked="" type="checkbox"/>
No. 8 signalling LEDs	<input checked="" type="checkbox"/>
24 Vdc solenoid valve <i>(Always used with the voltage stabilizer, code 9321L)</i>	<input checked="" type="checkbox"/>
10 metres of cable <i>(electric motor - limit switches - leds - solenoid valve)</i>	<input checked="" type="checkbox"/>

